

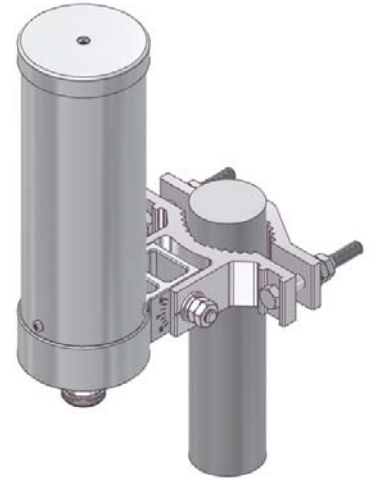
Cylinder Type Sector Antenna

1920 ~ 2170 MHz / 7 dBi

IMT-UHR-07

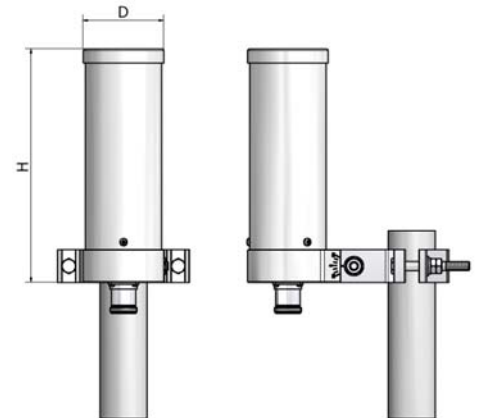
i. Electrical Specification

Frequency Range	1920 ~ 2170 MHz	
Polarization	Vertical	
Band Width	250 MHz	
Gain	≥ 7 dBi	
Beam width	Horizontal	≥ 80° ± 5°
	Vertical	≥ 65° ± 5°
F-B ratio	Horizontal	15 Db
	Vertical	15 dB
VSWR	1 : 1.5	
Impedance	50 Ω	
IMD (3x20W)	≥ - 150 dBc	
Maximum input power	≤ 200 W	

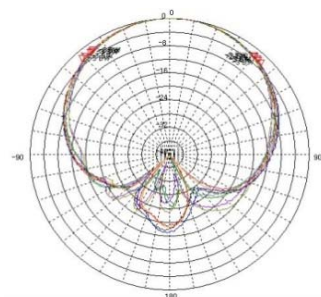


ii. Mechanical Specification

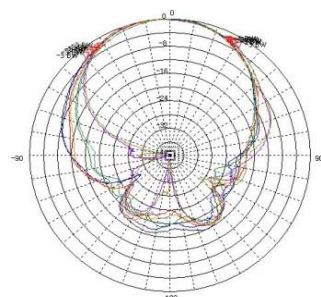
Radom Dimension (D x H)	Ø 85 x 250 mm	
Weight (Include bracket)	≤ 850 g	
Connector Type	7/16 " DIN-J (Female)	
Withstand Wind Pressure	60 m/sec	
Radome Material	ASA	
Radome Color	Cool Gray 4C	
Mechanical Down Tilt	± 20 °	
Temperature	-40 °C ~ 70 °C	
Packing Size (H x W x D)	-	
Packing Weight	-	



iii. Radiation Pattern



Horizontal Pattern



Vertical Pattern